

Consummate  
design, intuitive  
control, easy use,  
technical  
sophistication –  
Water in  
Perfection.

## KLUDI COCKPIT *Discovery*





# The high art of simplicity

Aircraft and sports car cockpits are tailored to their users, focusing on maximum clarity and simplicity. Intuitive operation is crucial in both cases. This operating concept served as our inspiration during the development of the KLUDI COCKPIT *Discovery* shower system. Its control elements are limited to temperature adjustment and flow regulation for the head and handheld showers. Simply turning the controls takes you to the ideal setting – operation is effortless and easy for both young and old users. Unambiguous and clearly visible pictograms illustrate the functions.





# Utmost ease of use for a more enjoyable shower experience

Creating something special calls for attention to be paid to every detail. And for a willingness to double-check everything and question conventional wisdom. This is what drove us to re-imagine the control concept of our KLUDI COCKPIT *Discovery* shower system from the ground up. Our aim was to make it as simple and convenient as possible – for everyone, regardless of their age and capabilities.

The large controls are designed to fit your hand perfectly, providing a secure grip. They are positioned at a convenient height so that young shower users won't have any difficulties either. The 40° rearward tilt significantly improves handling and ease of use.

The shape of the handheld shower also reflects ergonomic principles. The handle design and its rounded edges make it a pleasure to hold.

## Ergonomics







# Minimalist design and sophisticated functionality

With its minimalist shapes, smooth lines and elegant curves, the KLUDI COCKPIT *Discovery* shower system transforms any bathroom into a stylish place to relax. Thanks to its astonishingly streamlined form, the COCKPIT appears to float in the air and lends the room a comforting lightness. This impression is amplified by the extremely slim silhouette of the large head shower, whose soft edges mirror those of the handheld shower. The controls themselves are integrated in a generously sized and convenient shelf, which offers additional functionality.

Design





# Premium finish and sustainable materials

Like our other products, the KLUDI COCKPIT *Discovery* epitomises precision finishing, outstanding manufacturing quality made in Germany, and the use of premium, durable materials. The shelf, for example, is made of 100 percent recyclable aluminium. The premium E-coating significantly enhances corrosion protection and durability. The powder-coating finish gives the surface its elegant sheen.

We have avoided using plastic wherever possible. The controls and shower wall bracket, for instance, are made of die-cast zinc. In addition, KLUDI has developed the first completely plastic-free packaging concept for the shower system. KLUDI COCKPIT *Discovery* clearly sets standards in every respect.

## Workmanship









# Our quality standard – KLUDI added value

Every KLUDI product embodies five values: workmanship, versatility plus, attention to detail, brilliance and heart. They make every product a miniature masterpiece. Functionality is the priority at all times – and we always start with the customer's perspective. The results are fittings that redefine quality standards for both users and installers.

## Detail Liebe

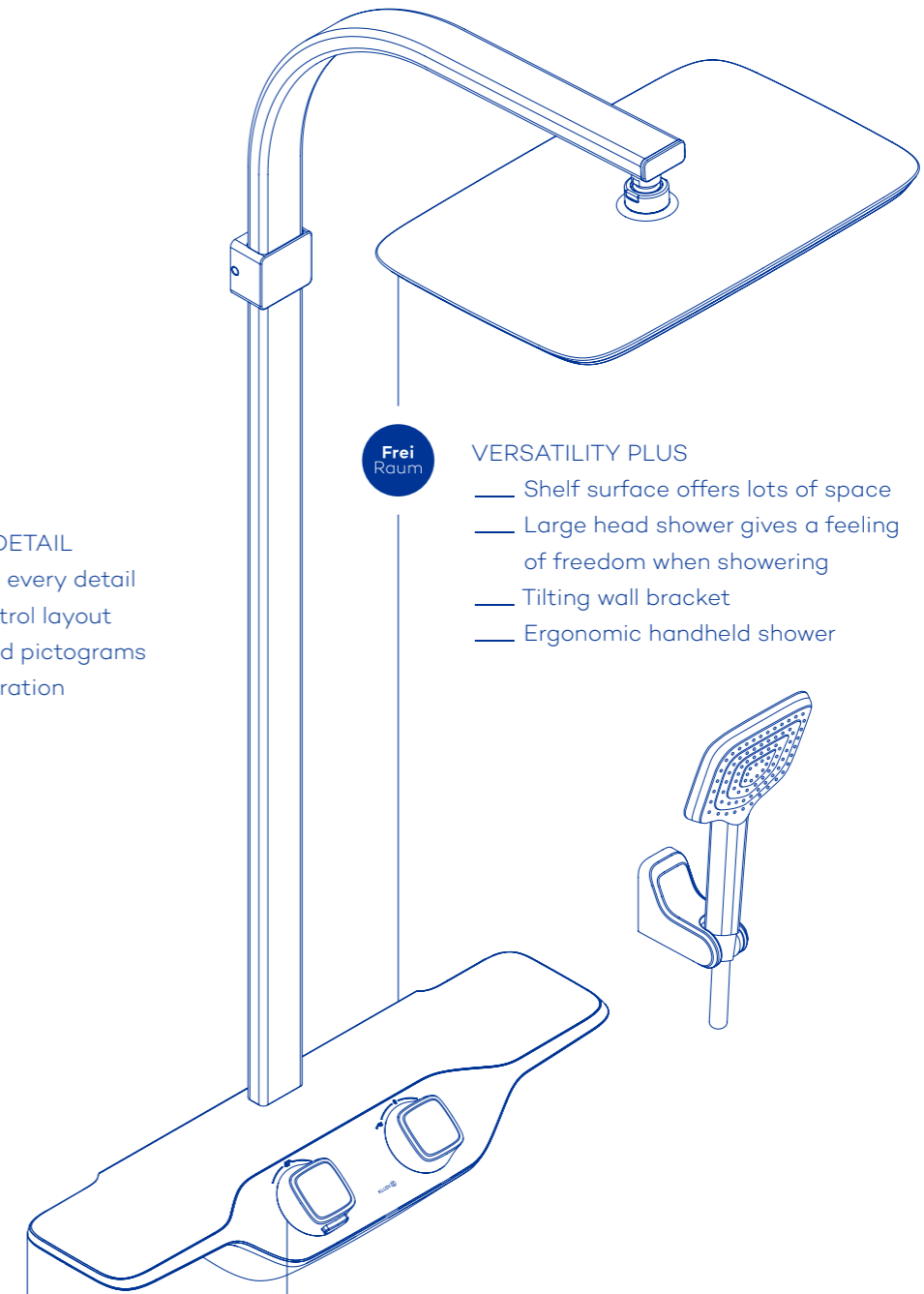
### ATTENTION TO DETAIL

- Perfection in every detail
- Optimal control layout
- Easy-to-read pictograms
- Intuitive operation

## Frei Raum

### VERSATILITY PLUS

- Shelf surface offers lots of space
- Large head shower gives a feeling of freedom when showering
- Tilting wall bracket
- Ergonomic handheld shower



## Herz Stück

### HEART

- Latest generation thermostat control unit

## Wert Arbeit

### WORKMANSHIP

- Use of premium materials
- Die-cast aluminium shelf
- Elegant powder coating
- Brass control unit
- Metal thermostat controls
- Made in Germany

## Glanz Voll

### BRILLIANT

- Edge radii calculated for optimal application of the elegant powder coating
- High-quality chrome finish



Kludi GmbH & Co. KG  
P.O. Box 25 60 · 58685 Menden  
Am Vogelsang 31–33 · 58706 Menden  
Germany

T +49 2373 904-193  
F +49 2373 904-540  
E [international-sales@kludi.com](mailto:international-sales@kludi.com)

©2019 Kludi GmbH & Co. KG, Menden (Germany)

All rights reserved. Subject to technical changes. Reproduction, copying and translations shall only be permitted with our express written approval. Printed in Germany.

KLUDI COCKPIT *Discovery*  
Shower System

Art. No. 8020091-00

KLUDI COCKPIT *Discovery* transforms your daily shower ritual into a vibrant experience for all your senses. It encompasses maximum functionality and ease of use, premium materials and German craftsmanship, a timeless, elegant look and a gentle rain shower.

KLUDI stands for almost a century of experience in producing premium bathroom and kitchen fittings. This history is what drives our ambition to combine the highest quality and functionality with perfect design in a unique way. Water in Perfection is our promise to customers and the users of our fittings, shower heads and shower systems.

[kludi.com](http://kludi.com)



COCKPIT  
*Explorer*



The *Explorer* is a consistent expansion of the KLUDI COCKPIT shower system family. Like its ‘big brother’, COCKPIT *Discovery*, the latest family member epitomises a combination of outstanding ease of use, processing of premium materials and meticulous manufacturing quality ‘Made in Germany’. The compact thermostat fitting leaves a lot of room, making the COCKPIT *Explorer* ideal even for smaller showers and renovation projects. Another bonus: the head shower not only swivels freely, but is also adjustable in height, just like the hand shower – for an even more individual shower experience.

KLUDI COCKPIT *Explorer* prioritises ease of use. The operation is reduced to two prominent controls on the front of the fitting that lets users set the water volume and temperature of the head and hand shower simply by turning them – it is intuitive, convenient and effortless.

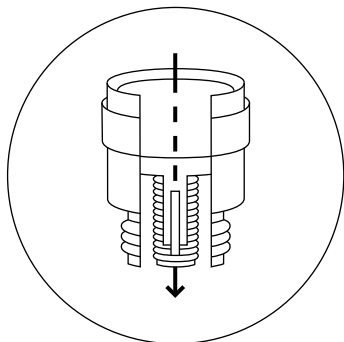
Both controls are inclined to the rear, keeping them within the user’s sight and reach. This makes it – as demonstrated by ergonomic tests – even easier to use. The feel and design also ensures reliable and precise handling.

Discover the latest member  
of the KLUDI COCKPIT family!



Individual shower experience for all of your senses: The large head shower does not just swivel freely, but is also height-adjustable. That allows it to be optimally configured for every ceiling height. An integrated ball joint also lets the angle of the spray head to be individually adjusted.

→



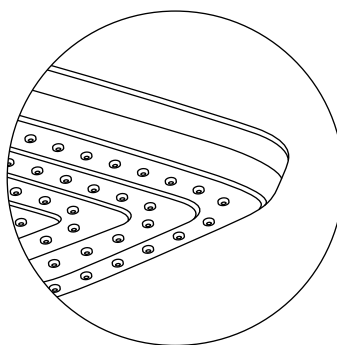
1 bar

↑

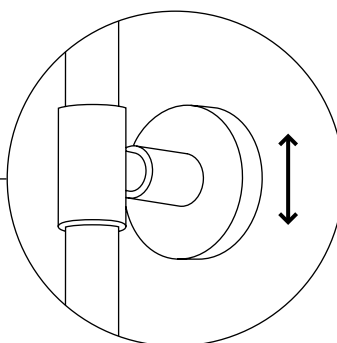
Reliable performance: A pressure equaliser ensures constant water pressure at all times, providing lasting protection against damage to the head shower – even when the nozzles are blocked.

→

Perfectly designed: The KLUDI engineers have designed the insides of the head shower in a way that stops water from running continuously after you finish your shower.



No dripping



Up to 18 cm

↑

Another bonus: The height of the wall mount can be adjusted by up to 18 cm, so that the HVAC technician can easily use existing holes to fit the COCKPIT Explorer.

←

Just as you want and need: The height of the hand shower can also be changed to match the respective user preferences.



The KLUDI COCKPIT *Explorer*  
combines optimised ergonomics  
with a new, attractive design.

Completely safe to touch: Thanks to the  
'Touch Proof' technology, the complete thermal  
decoupling of the control unit ensures optimal  
protection against scalding.



KLUDI COCKPIT *Explorer*  
8005005-00

Head shower  
6445005-00

Shelf  
6410110-00



COCKPIT *Explorer*

Kludi GmbH & Co. KG  
P.O. Box 25 60 · 58685 Menden  
Am Vogelsang 31–33 · 58706 Menden  
Germany

T +49 2373 904-193  
F +49 2373 904-540  
E [international-sales@kludi.com](mailto:international-sales@kludi.com)

© 2020 Kludi GmbH & Co. KG, Menden (Germany)

All rights reserved. Subject to technical changes. Reproduction, copying and translations shall only be permitted with our express written approval. Printed in Germany.